

LED Lamp Wall Sconce

WS53411
INSTALLATION SHEET

START FROM HERE

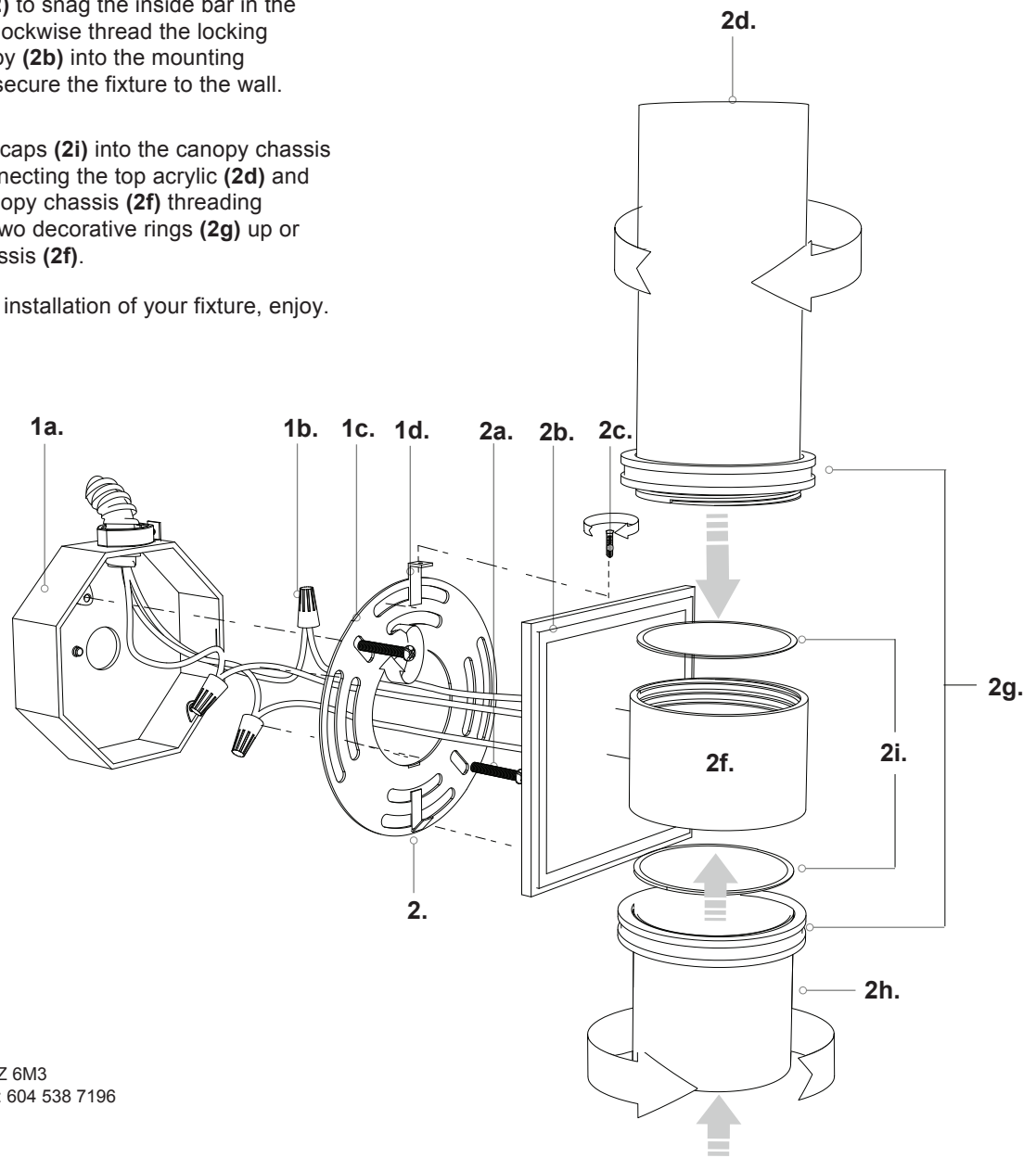
- Make sure power is completely off at the fuse box.
- Have your fixture installed by a qualified licensed electrician
- Prepare everything in a clear area.
- Wear gloves at all times during this installation.
- Read instructions carefully before you start assembly.
- Keep this instruction sheet for future reference.

Technical Support: 1-877-452-6858

Please Note:

- All Kuzco LED fixtures come with pre-wired LED module(s).
- Unless instructed to do so, please do not touch any part of the LED module(s) as any unnecessary contact with the module could cause permanent damage.
- For dimming, an ELV (Electronic Low Voltage) type of dimmer is required.

- 1.** Remove the fixture from its original packaging. Un-thread the locking screw **(2c)** and remove the mounting plate **(1c)** from within the canopy **(2b)** and attach it to the electrical junction box **(1a)**, using the two screws **(2a)** provided in the hardware package.
- 2.** Attach the canopy backplate to the mounting plate. First attach all wiring **(1b)** with the provided marrets (white to white "N", black to black "L", ground to ground "G"). Place the canopy backplate **(2b)** onto the mounting plate **(1d)** be sure to use the lower hook **(2)** to snag the inside bar in the canopy **(2b)**. Next, turning clockwise thread the locking screw **(2c)** through the canopy **(2b)** into the mounting plate angle bar **(1c)** this will secure the fixture to the wall.
- 3.** Lastly, place the two diffuser caps **(2i)** into the canopy chassis **(2f)** and follow this up by connecting the top acrylic **(2d)** and bottom acrylic **(2h)** to the canopy chassis **(2f)** threading clockwise. Adjust (turn) the two decorative rings **(2g)** up or down for a flush fit to the chassis **(2f)**.
- 4.** You have now completed the installation of your fixture, enjoy.



KUZCO
LIGHTING